

# Bluetooth Connectivity

## Test Solutions



### Highlights

- Go/NoGo test for Bluetooth devices
- Minimal investment
- Supports 2201 ProLock, 4400, 4300, 4200, 4100 and 3100 Series

The increase in the utilization of wireless headsets, connections to personal computers or other types of wireless devices has led to a large percentage of today's mobile phones supporting Bluetooth connectivity. For service centers, this has generated an additional test requirement when verifying the operation of a mobile device.

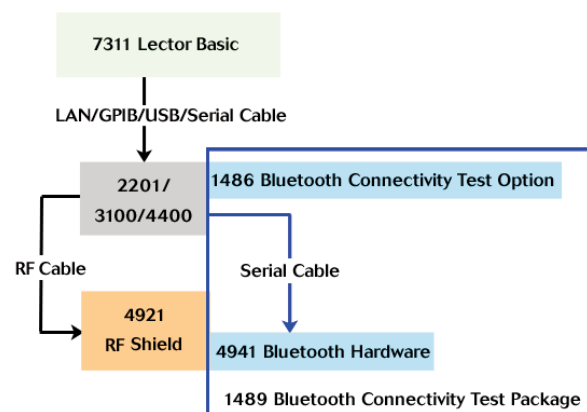
Service centers can now perform a quick Go/NoGo test on the Bluetooth portion of the mobile by utilizing the 4941 Bluetooth Connectivity Hardware along with the Aeroflex 4921 RF Shield and either the 4400 Series Mobile Phone Tester, the 2201 ProLock or the 3100 Mobile Fault Finder. This is achieved by performing a simple inquiry of the device located inside the RF Shield. Proper response of the Bluetooth device confirms the functionality of both receiver and transmitter.

The 4941 Bluetooth Connectivity Hardware consists of a Bluetooth Adapter, cables and rear panel for the 4921 RF Shield. This hardware may be connected to either the instrument (3100 or 4400 Series) or to a PC running the 7310 Lector-Scriptor software. Two kits are available for testing in different configurations:

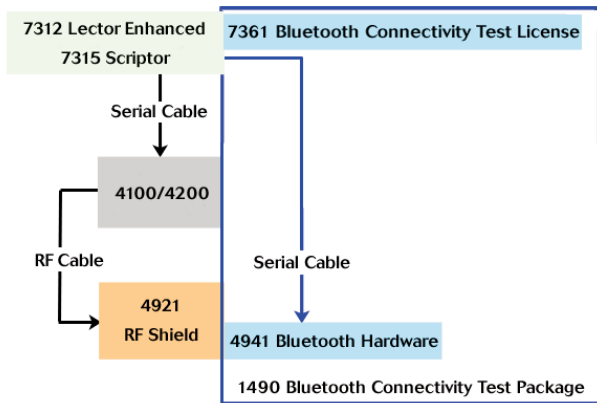
- With the 1489 Bluetooth Connectivity Test Package, the Bluetooth test hardware (included in the kit) is connected to the test set. Remote control is enabled either through the test set or through the 7310 Lector-Scriptor software that facilitates single-button operation in a Windows® PC environment. Supported instruments include the 2201 ProLock, the 3100 and the 4400 Series.

- Similarly, the 1490 Bluetooth Connectivity Test Package supports tests with the Bluetooth test hardware connected to a PC running the 7310 Lector-Scriptor. This test setup supports combined cellular and Bluetooth tests with various mobile phone testers or even standalone Bluetooth tests.

The Bluetooth Connectivity Test Package is a very cost-effective tool to verify that the customer's mobile device will properly communicate with a Bluetooth headset, PC or other wireless devices.



1489 Configuration



1490 Configuration

## ORDERING NUMBER

1489 Bluetooth Connectivity Test Package includes 4941 Bluetooth Connectivity Hardware, cables, RF Shield rear panel and option key for 2201, 3100 or 4400 (please specify)	AG 248 510
1490 Bluetooth Connectivity Test Package (7310 Lector) includes 4941 Bluetooth Connectivity Hardware, cables, RF Shield rear panel and option key for 7312 Lector Enhanced or 7315 Scriptor	AG 248 980
4941 Bluetooth Connectivity Hardware	AG 248 511
1488 Bluetooth Connectivity Test Option (for 2201, 3100, 4400)	AG 897 291
7361 Bluetooth Connectivity Test License (for Lector)	AG 897 330



**CHINA Beijing**  
Tel: [+86] (10) 6539 1166  
Fax: [+86] (10) 6539 1778  
**CHINA Shanghai**  
Tel: [+86] (21) 5109 5128  
Fax: [+86] (21) 5150 6112  
**CHINA Shenzhen**  
Tel: [+86] (755) 3301 9358  
Tel: [+86] (755) 3301 9356

**FINLAND**  
Tel: [+358] (9) 2709 5541  
Fax: [+358] (9) 804 2441  
**FRANCE**  
Tel: [+33] 1 60 79 96 00  
Fax: [+33] 1 60 77 69 22  
**GERMANY**  
Tel: [+49] 8131 2926-0  
Fax: [+49] 8131 2926-130

**HONG KONG**  
Tel: [+852] 2832 7988  
Fax: [+852] 2834 5364  
**INDIA**  
Tel: [+91] 80 [4] 115 4501  
Fax: [+91] 80 [4] 115 4502  
**KOREA**  
Tel: [+82] (2) 3424 2719  
Fax: [+82] (2) 3424 8620

**SCANDINAVIA**  
Tel: [+45] 9614 0045  
Fax: [+45] 9614 0047  
**UK Stevenage**  
Tel: [+44] (0) 1438 742200  
Fax: [+44] (0) 1438 727601  
Freephone: 0800 282388  
**USA**  
Tel: [+1] (316) 522 4981  
Fax: [+1] (316) 522 1360  
Toll Free: 800 835 2352



As we are always seeking to improve our products, the information in this document gives only a general indication of the product capacity, performance and suitability, none of which shall form part of any contract. We reserve the right to make design changes without notice. All trademarks are acknowledged. Parent company Aeroflex, Inc. ©Aeroflex 2010.

[www.aeroflex.com](http://www.aeroflex.com)  
[info-test@eroflex.com](mailto:info-test@eroflex.com)



Our passion for performance is defined by three attributes represented by these three icons: solution-minded, performance-driven and customer-focused.