

Fixed Coaxial Attenuators



Models 3330A & 3331A General Purpose Attenuators

dc to 18.0 GHz
2 Watts

Low Cost Subminiature



Features

- Low Cost - These general purpose attenuators offer subminiature size, broadband frequency response, and attenuation values from 1 to 30 dB at low, competitive prices.
- Two Configurations - Round body Model 3330A and a hex body Model 3331A.
- Ideal for Bulk Quantity Requirements.

Specifications

NOMINAL IMPEDANCE: 50 Ω

FREQUENCY RANGE: dc to 18.0 GHz

MAXIMUM DEVIATION OVER FREQUENCY:	
Nominal ATTN (dB)	Deviation (dB)
0-6	± 0.30
7-10, 20	± 0.50
30	± 0.75

MAXIMUM SWR:	
Frequency (GHz)	SWR
dc - 4	1.15
4 - 12.4	1.30
12.4 - 18.0	1.40

POWER RATING: 2 watts **average** to 25°C ambient temperature, derated linearly to 0.5 watts @ 125°C. 250 watts **peak** (5 μsec pulse width; 0.4% duty cycle).

TEMPERATURE RANGE: -55°C to +125°C.

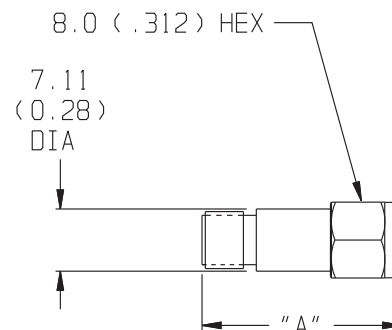
CONNECTORS: SMA connectors per MIL-STD-348 interface dimensions mate nondestructively with MIL-C-39012 connectors.

CONSTRUCTION: Passivated stainless steel body and connectors; gold plated beryllium copper contacts.

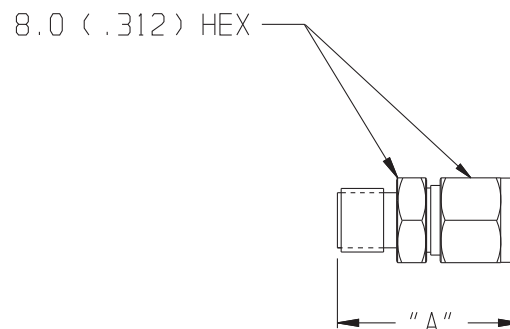
WEIGHT: 5.6 g (0.2 oz) maximum (Both Models)

PHYSICAL DIMENSIONS:

Model 3330A (Round):



Model 3331A (Hex):



dB VALUE	DIM A
1 - 10	21.72 ± 0.51 (0.855 ± 0.020)
20, 30	25.02 ± 0.51 (0.985 ± 0.020)

NOTE:

- All dimensions are given in mm (inches) and are maximum, unless otherwise specified.
- Unit available with RoHS compliant materials, specify when ordering.

MODEL NUMBER DESCRIPTION:

Example:

3330A - XX

Basic Model Number

Attenuation Value (dB)