

Model 7008
Pressurized Planar Blindmate® Connector

dc to 40.0 GHz

RoHS



Specifications

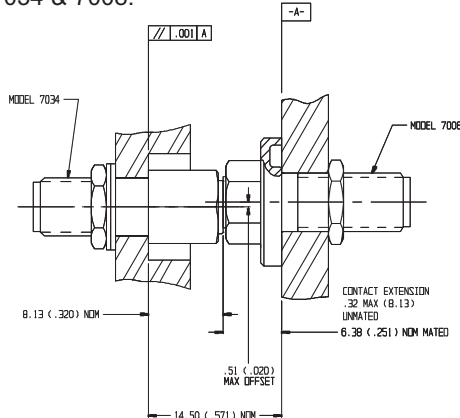
NOMINAL IMPEDANCE: 50 Ω
FREQUENCY RANGE: dc to 40.0 GHz
POWER RATING: 50 Watts CW, 500 Watts peak

INSERTION LOSS (dB) & SWR*:				
Frequency (GHz)	SWR		Loss	
	typical	maximum	typical	maximum
dc - 18	1.20	1.30	0.2	0.3
18 - 26.5	1.30	1.40	0.6	0.8
26.5 - 40	1.45	1.65	1.0	1.5

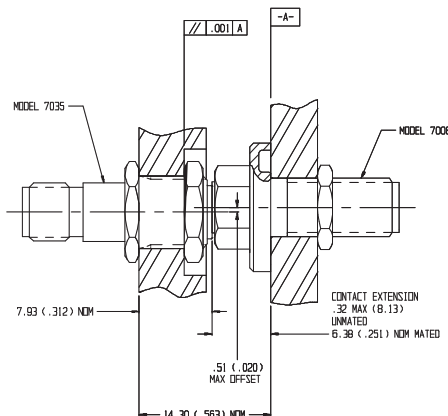
*Specifications are for mated pair (Mated pair can be any combination of Model 7008 and 7035).

Applications

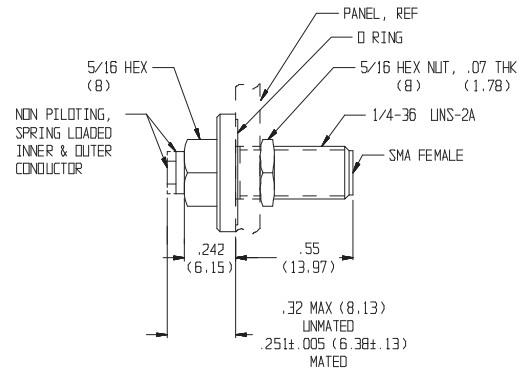
Model 7034 & 7008:



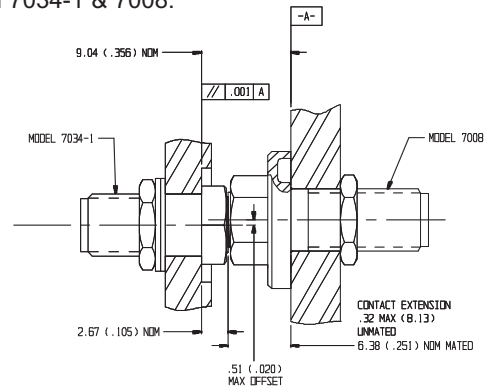
Model 7035 & 7008:



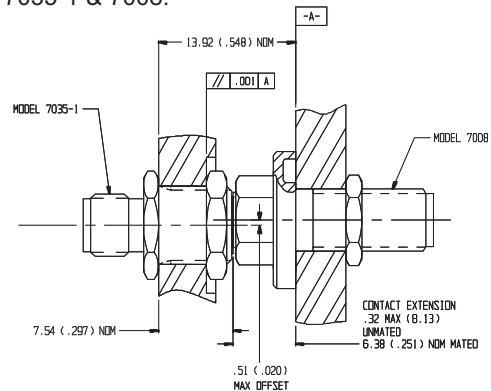
HYDROSTATIC PRESSURE: 1000 PSI
STATIC PRESSURE: 50 PSI
TEMPERATURE RANGE: -50°C to +125°C
CONNECTORS: Stainless Steel SMA connectors per MIL-STD-348 interface dimensions - mate nondestructively with MIL-C-39012 connectors.
WEIGHT: 2 oz (56.7 g) maximum
PHYSICAL DIMENSIONS:



Model 7034-1 & 7008:



Model 7035-1 & 7008:



NOTE:

1. All dimensions are given in mm (inches) and are maximum, unless otherwise specified.
2. Unit available with RoHS compliant materials, specify when ordering.