

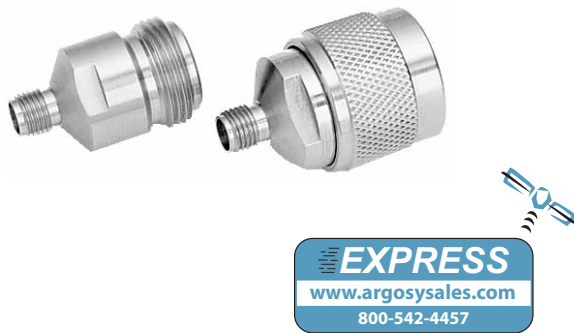
Coaxial Adapters



Model 7002 High Performance Coaxial Adapter

dc to 18.0 GHz

Ruggedized SMA to Type N Connectors



Features

- /// High Repeatability
- /// Rugged Injection Molded Connectors
- /// Stainless Steel Construction

Specifications

NOMINAL IMPEDANCE: 50 Ω

FREQUENCY RANGE: dc to 18.0 GHz

MAXIMUM SWR:	
Frequency (GHz)	SWR (per adapter)
dc - 18	1.12

INSERTION LOSS & REPEATABILITY (dB):		
Frequency (GHz)	Ins Loss*	Repeatability*
dc - 12.4	< 0.40	0.01
12.4 - 18	< 0.50	0.02

*Specification based on mated pair terminated in 50 Ω.

ELECTRICAL LENGTH:

Models 7002-14 & 7002-24: 33mm

Models 7002-13 & 7002-23: 20mm

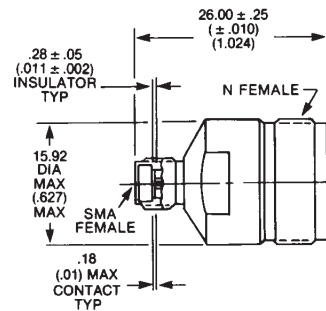
CONSTRUCTION: Gold plated beryllium copper center conductors, injection molded into stainless steel outer bodies.

CONNECTORS: Type N and SMA connectors per MIL-STD-348 interface dimensions - mate nondestructively with MIL-C-39012 connectors.

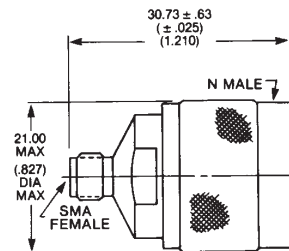
WEIGHT: 30 g (1.1 oz) maximum

PHYSICAL DIMENSIONS:

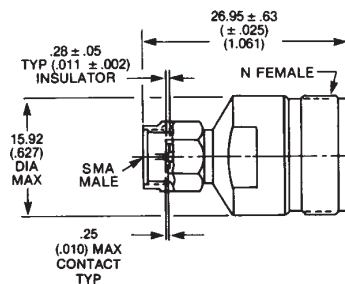
MODEL 7002-13:



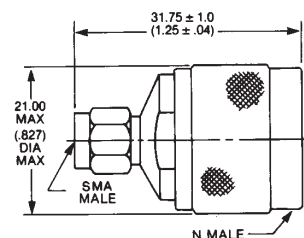
MODEL 7002-14:



MODEL 7002-23:



MODEL 7002-24:



NOTE:

1. All dimensions are given in mm (inches) and are maximum, unless otherwise specified.
2. Unit available with RoHS compliant materials, specify when ordering.