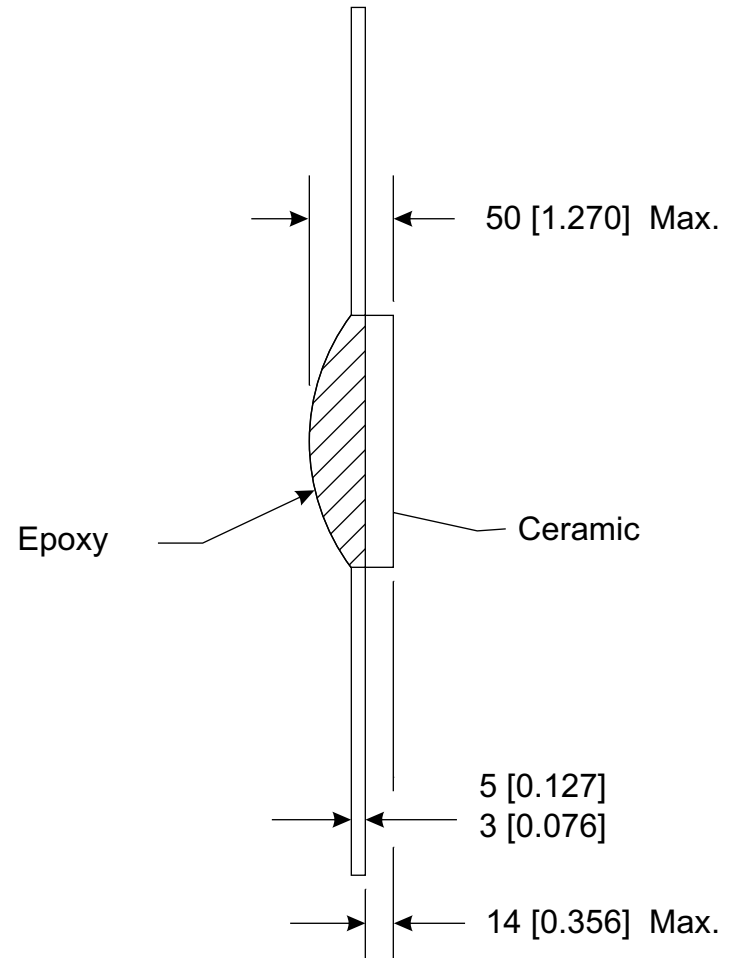
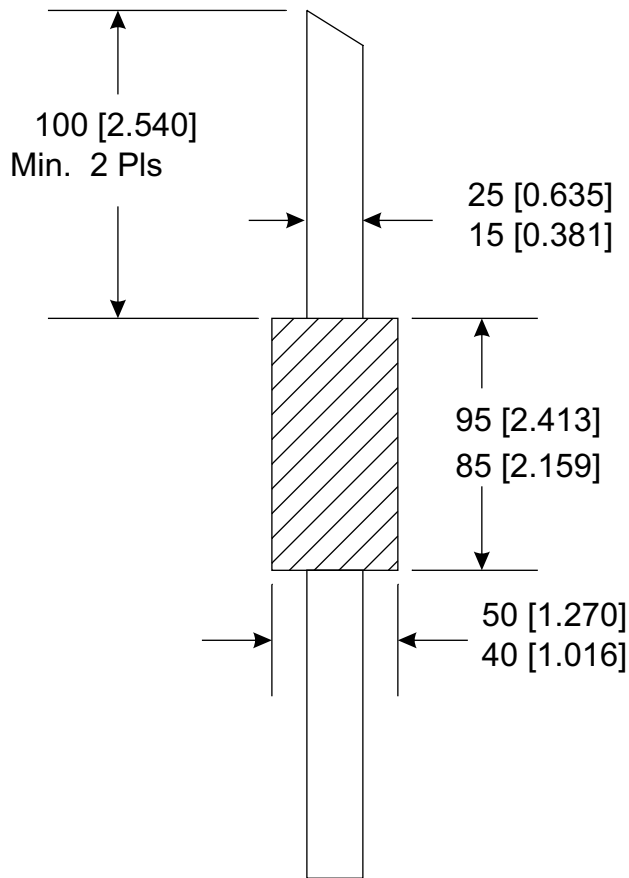


E28

Cp=0.08pF
Lp=0.4nH

Cut lead is Cathode



Dimensions in mils [mm]