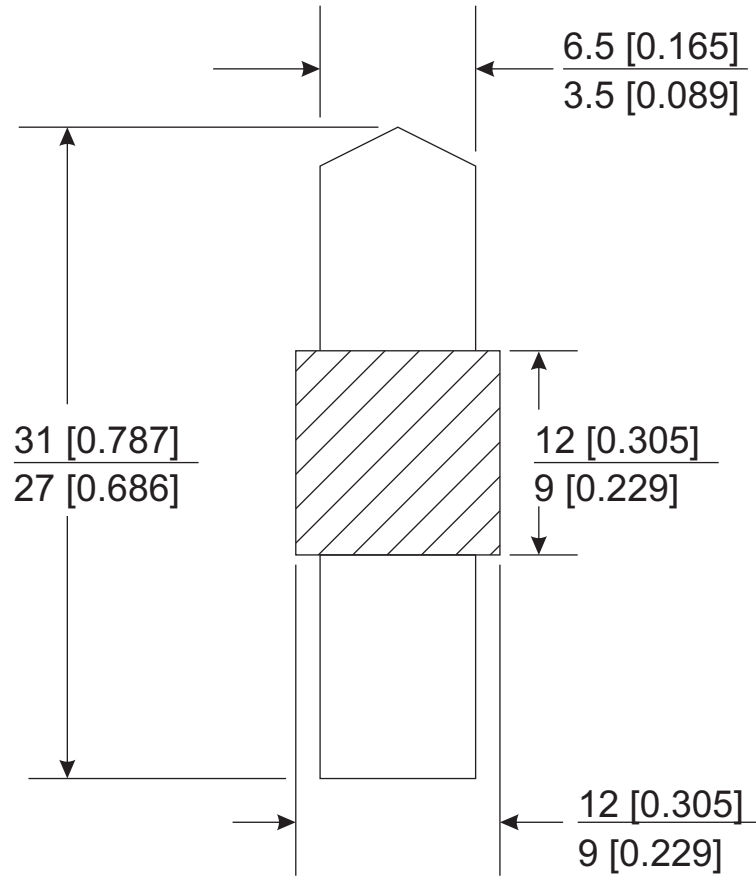
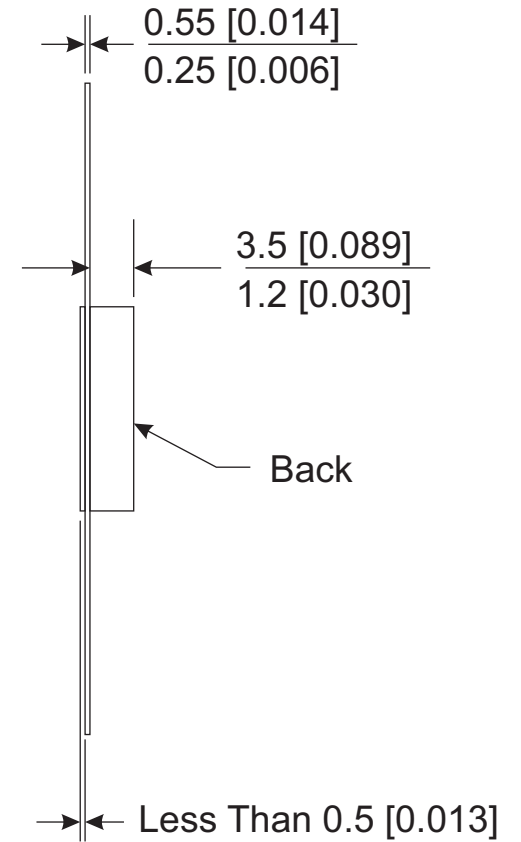


B10D

Cut lead is Anode



Back View



$L_p = 0.1\text{nH}$
 $C_p = 0.015\text{pF}$

Dimensions in mils [mm]