

# ATTENUATORS

7/16 - DIN, up to 6 GHz, 100 Watts

## SPECIFICATIONS:

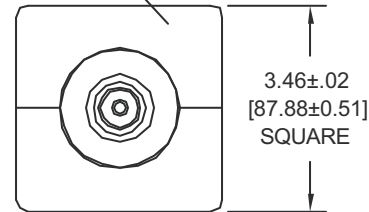
Models: XD100W-XX, XD100W-XXF & XD100W-XXM

**RoHS**  
Compliant

<b>Electrical:</b>			
Frequency Range	DC - 6.0 GHz		
Standard Freq. Values	2.5 & 6 GHz		
Standard dB Values	3, 6, 10, 20, 30 & 40 dB		
Attenuation Accuracy	DC - 1.5 GHz	1.5 - 2.5 GHz	2.5 - 6 GHz
3 & 6 dB	±0.50 dB	±0.50 dB	±0.75 dB
10 dB	±0.75 dB	±0.75 dB	±2.50 dB
20 & 30 dB	±0.75 dB	±0.75 dB	±1.50 dB
40 dB	±1.50 dB	±1.50 dB	±2.50 dB
VSWR (Max.)	1.25:1	1.35:1	1.45:1
Input Power	100 Watts Avg. @ +25°C Derated Linearly to 20 Watts @ +125°C		
Output Power	20 Watts		
Peak Power	1 kW Max. (5µSec Pulse, .05% Duty Cycle)		
Impedance	50 Ohms		
Operating Temp Range	-55°C to +125°C		
<b>Mechanical:</b>			
7/16 - DIN Connectors	Silver or White Bronze Plated Brass Mates with DIN 47 223		
Conductors	Silver or White Bronze Plated Beryllium Copper		
Housing	Anodized Aluminum		



Custom Mtg. hole Config. may be Added to this Surface



END VIEW  
TYPICAL

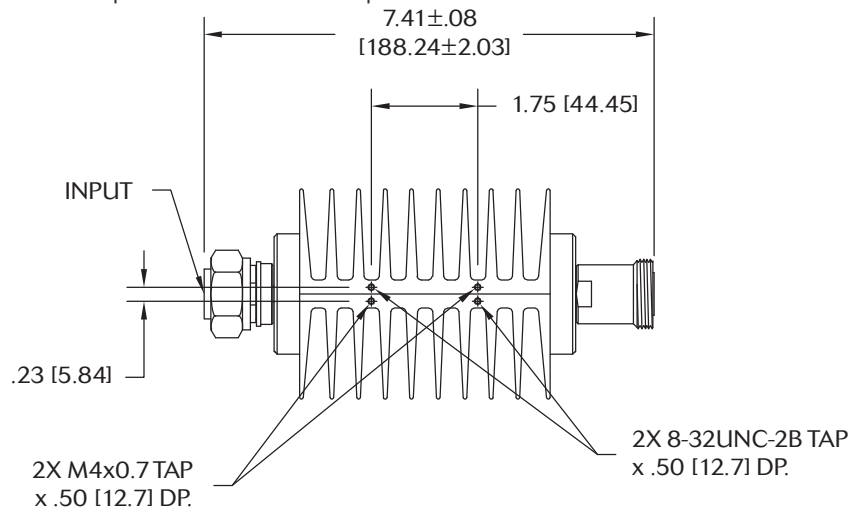
Units must be Mounted in such a way as to Allow for Free Air Flow Around fins to Assure Performance

Note: Units are Unidirectional, Therefore Input Connector MUST be Specified & will be Indicated on Unit

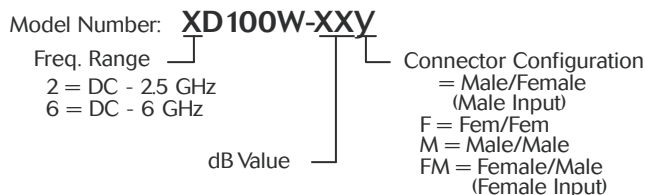
Model Number: **XD100W-XX**  
Male/Female Connectors  
Length: 7.41 ±.08 [188.2 ±2.0]  
Pictured

Model Number: **XD100W-XXF**  
Female/Female Connectors  
Length: 7.55 ±.08 [191.8 ±2.0]

Model Number: **XD100W-XXM**  
Male/Male Connectors  
Length: 7.27 ±.08 [184.7 ±2.0]



## HOW TO ORDER:



## Ordering Examples:

Model Number: **2D100W-30**  
DC - 2.5 GHz, 30 dB; 7/16 - DIN, Male/Fem

Model Number: **2D100W-03F**  
DC - 2.5 GHz, 3 dB; 7/16 - DIN, Fem/Fem

Model Number: **6D100W-20FM**  
DC - 6 GHz, 20 dB; 7/16 - DIN, Female/Male

Note: Dimensions in Brackets are Expressed in Millimeters and are for Reference Only.  
Design specifications are subject to change without notice.  
Contact factory for technical specifications before purchasing or use.

XD100W-ATT: REV M



Aeroflex / Inmet, Inc. • 300 Dino Drive, Ann Arbor, MI 48103 • U.S.A.  
888-244-6638 or 734-426-5553 • FAX: 734-426-5557  
www.aeroflex.com/inmet • inmet@aeroflex.com