

TERMINATIONS

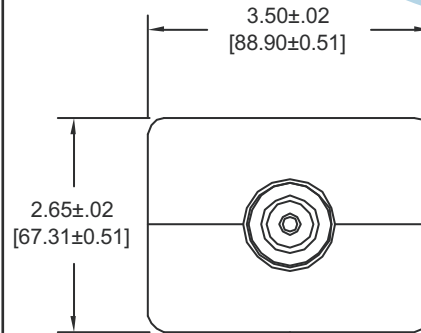
7/16 - DIN, up to 7.5 GHz, 50 Watts

SPECIFICATIONS:

Models: TDXXXM-50W, TDXXXF-50W

RoHS
Compliant

Electrical:	
Frequency Range _____	DC - 75 GHz
Standard Freq. Values _____	2.5, & 7.5 GHz
VSWR	
DC - 4 GHz _____	1.25:1 Max.
4 - 7.5 GHz _____	1.45:1 Max.
Impedance _____	50 Ohms
Input Power _____	50 Watts Avg. @ +25°C
	Derated Linearly to 10 Watts @ +125°C
Peak Power _____	500 Watts Max.
	(5uSec Pulse, .05% Duty Cycle)
Operating Temp Range _____	-65°C to +125°C
Mechanical:	
7/16 - DIN Connectors _____	Silver or White Bronze Plated Brass
	Mates with DIN 47 223
Conductors _____	Silver or White Bronze Plated Beryllium Copper
Housing _____	Anodized Aluminum

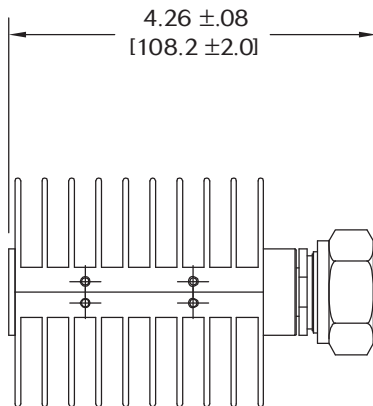


END VIEW
TYPICAL

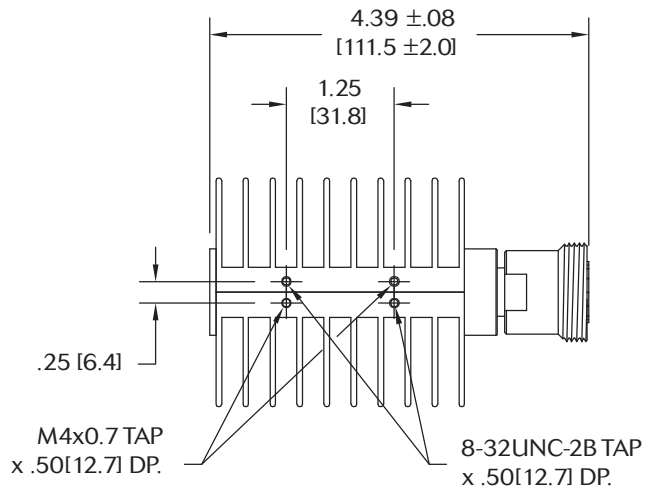
Units must be Mounted in such a way as to Allow for Free Air Flow Around fins to Insure Performance

Model Number: TDXXXM-50W
7/16 - DIN Male Connector

Model Number: TDXXXF-50W
7/16 - DIN Female Connector



NOTE: Hole Pattern typical for both Male & Female units



Items in Catalog are Subject to Change Without Notice

HOW TO ORDER:

Model Number: **TDXXX**Y-50W

Freq. Range	Connector Configuration
020 = DC - 2.5 GHz	F = Female
075 = DC - 7.5 GHz	M = Male

Ordering Examples:

Model Number: **TD020M-50W**
DC - 2.5 GHz, 7/16-DIN Male Conn

Model Number: **TD075F-50W**
DC - 7.5 GHz, 7/16-DIN Female Conn.

Note: Dimensions in Brackets are Expressed in Millimeters and are for Reference Only.
Design, specifications are subject to change without notice. Contact factory for technical specifications before purchasing and/or use.

TD075-50W: REV K (M)



Aeroflex / Inmet, Inc. • 300 Dino Drive, Ann Arbor, MI 48103 • U.S.A.
888-244-6638 or 734-426-5553 • FAX: 734-426-5557
www.aeroflex.com/inmet • inmet@aeroflex.com