

DC BIAS PASSING ATTENUATOR

Type F (75Ω), 500 MHz - 2 GHz

SPECIFICATIONS:

Model: 9093-F-XX

RoHS
Compliant

AEROFLEX
A passion for performance.

SPECIFICATIONS:

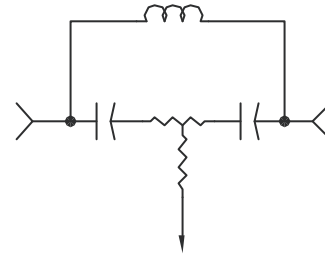
Electrical: (@ 25°C Ambient)

Frequency Range _____ 500 MHz - 2 GHz
 Standard dB Values* _____ 3, 4, 5, 6, 7, 9, 10, 11 & 20 dB
 Attenuation Accuracy
 3, 4, 5, 6, 7, 9, 10 & 11 dB _____ ±1.0 dB Typ. (±1.5 dB Max.)
 20 dB _____ ±1.0 dB Typ. (±2.0 dB Max.)
 Impedance _____ 75 Ohms
 DC Resistance ** _____ 0.25 Ohms Max.
(CC IN TO CC OUT)
 VSWR _____ 1.45:1 Max.
 Voltage Rating _____ 100 Volts Max.
 DC Current _____ 2 Amps Max.
 RF Power (Avg) _____ 2 Watts Max.
 Operating Temp. Range _____ -55°C to +125°C

**CENTER CONDUCTOR TO CASE DC ISOLATED > 5 MEGAOHMS

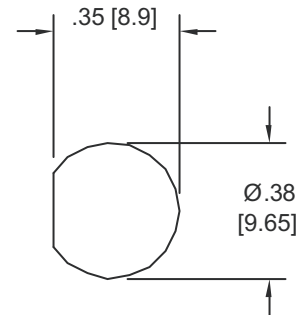
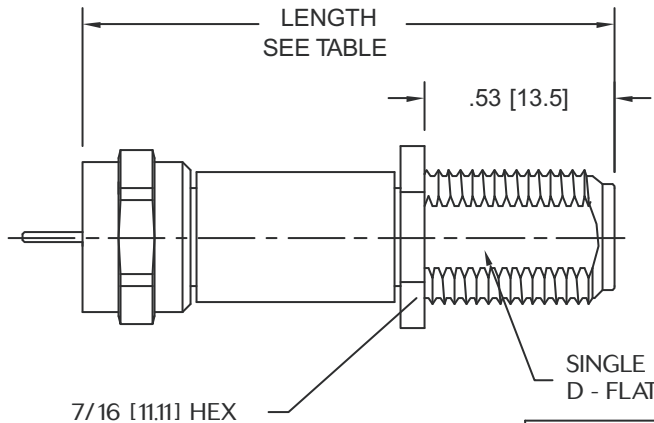
Mechanical:

Connectors _____ Nickel Plated Brass
 Conductors _____ Nickel Plated Brass &
 Gold Plated Beryllium Copper



SCHEMATIC DIAGRAM

Model Number: **9093-F-XX**



RECOMMENDED MOUNTING HOLE

dB Value	Length	
	Inches	Millimeters
3, 4, 5, 6, 7, 9, 10 & 11	1.47 ±.05	[37.34 ±1.3]
20dB	1.84 ±.05	[46.74 ±1.3]

HOW TO ORDER:

Model Number: **9093-F-XX**
 dB Value

Ordering Examples:

Model Number: **9093-F-10**
 10 dB; Type F; Male/Fem

Model Number: **9093-F-20**
 20 dB; Type F; Male/Fem

Note: Dimensions in Brackets are Expressed in Millimeters and are for Reference Only.
 *Other dB values available for special order.

9093-F: REV J

AEROFLEX
INMET

Aeroflex / Inmet, Inc. • 300 Dino Drive, Ann Arbor, MI 48103 • U.S.A.
 888-244-6638 or 734-426-5553 • FAX: 734-426-5557
 www.aeroflex.com/inmet • inmet-sales@eroflex.com