

# ATTENUATORS

SMB, DC - 4 GHz, 2 Watts

## SPECIFICATIONS:

Models: 9056-XX, 9056-XXM, 9056-XXF

**RoHS**  
Compliant

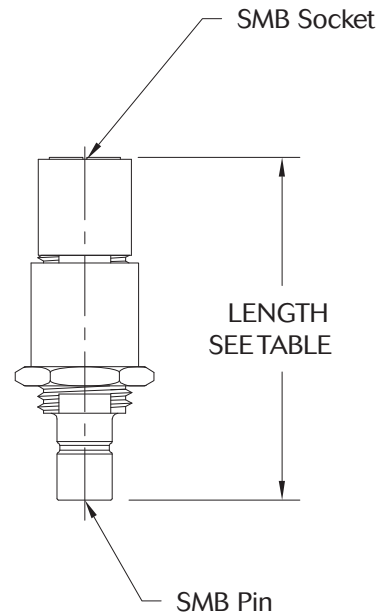
**AEROFLEX**  
A passion for performance.

### Electrical:

Frequency Range \_\_\_\_\_ DC - 4 GHz  
 Standard dB Values \_\_\_\_\_ 0-12, 15, 20 & 30 dB  
 Atten. Accuracy \_\_\_\_\_ In 1 dB Increments  
 0 - 6 dB \_\_\_\_\_ ±0.3 dB  
 7 - 20 dB \_\_\_\_\_ ±0.5 dB  
 21 - 30 dB \_\_\_\_\_ ±0.75 dB  
 VSWR \_\_\_\_\_ 1.25:1 Max.  
 Input Power \_\_\_\_\_ 2 Watts Avg. @ 25°C  
DERATED LINEARLY TO 0.5 WATTS @ +125°C  
 Peak Power \_\_\_\_\_ 250 Watts Max.  
(5uSec Pulse, .05% Duty Cycle)  
 Impedance \_\_\_\_\_ 50 Ohms  
 Operating Temp Range \_\_\_\_\_ -65°C to +125°C

### Mechanical:

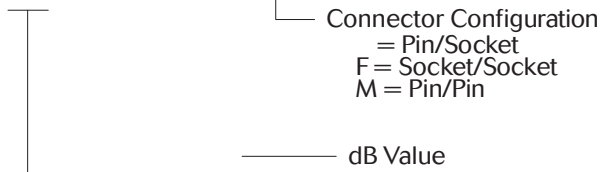
SMB Connectors \_\_\_\_\_ Nickel Plated Brass  
Mates with MIL-STD-348  
 Conductors \_\_\_\_\_ Gold Plated Beryllium Copper  
 Barrel \_\_\_\_\_ Nickel Plated Brass



Connector Configuration	LENGTH			
	0 - 12 dB		13 - 30 dB	
	Inches	Millimeters	Inches	Millimeters
Pin/Socket	.90 ±.05	[22.86 ±1.27]	1.03 ±.05	[26.16 ±1.27]
Pin/Pin	.81 ±.05	[20.57 ±1.27]	.94 ±.05	[23.88 ±1.27]
Socket/Socket	.87 ±.05	[22.10 ±1.27]	1.00 ±.05	[25.40 ±1.27]

## HOW TO ORDER:

Model Number: 9056-XXY



## Ordering Examples:

Model Number: 9056-20  
 20 dB; SMB - Pin/Socket

Model Number: 9056-6F  
 6 dB; SMB - Socket/Socket

Note: Dimensions in Brackets are Expressed in Millimeters and are for Reference Only.  
 Design specifications are subject to change without notice.  
 Contact factory for technical specifications before purchasing or use.

9056-ATT: REV C

**AEROFLEX**  
INMET

Aeroflex / Inmet, Inc. • 300 Dino Drive, Ann Arbor, MI 48103 • U.S.A.  
 888-244-6638 or 734-426-5553 • FAX: 734-426-5557  
 www.aeroflex.com/inmet • inmet-sales@eroflex.com