

POWER DIVIDERS, RESISTIVE

TNC, up to 18 GHz, 1 Watt

SPECIFICATIONS:

Models: 6019, 6019-02

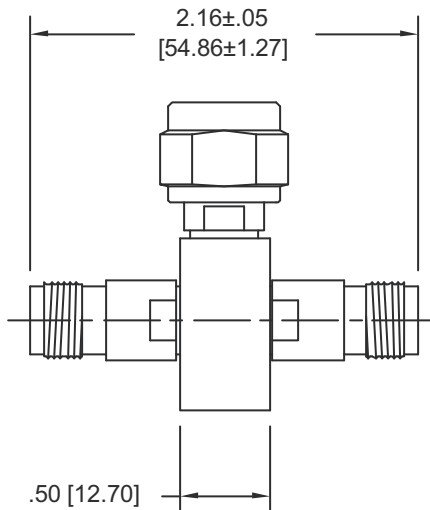
RoHS
Compliant

Electrical:	
Frequency Range _____	See Below
Standard Freq. Values _____	12.4 and 18 GHz
Input VSWR _____	See Below
Impedance _____	50 Ohms
Insertion loss _____	See Below
Phase Tracking _____	See Below
Amplitude Tracking _____	See Below
Input Power _____	1 Watt Avg. @ 25°C Derated Linearly to 0 Watts @ +125°C
Power Coefficient _____	<0.005dB/dB/Watt
Temperature Coefficient _____	<0.0004dB/dB/°C
Operating Temp Range _____	-55°C to +125°C
Mechanical:	
*TNC Connectors _____	Passivated Stainless Steel
<small>Mates with MIL-STD-348</small>	
Housing _____	Anodized Aluminum
Conductors _____	Gold Plated Beryllium Copper
*18 GHz Mode Free	



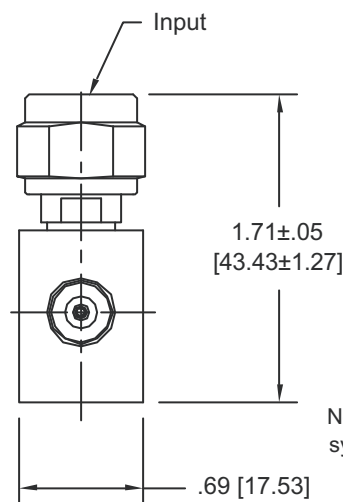
Model Number: 6019

Frequency Range _____ DC - 18 GHz
 Input VSWR _____ 1.35:1 Max.
 Insertion Loss _____ 7.5dB Nominal
 Phase Tracking _____ ±3°
 (between output ports)
 Amplitude Tracking _____ 0.5 dB



Model Number: 6019-02

Frequency Range _____ DC - 12.4 GHz
 Input VSWR _____ 1.25:1 Max.
 Insertion Loss _____ 6dB Nominal
 Phase Tracking _____ ±2°
 (between output ports)
 Amplitude Tracking _____ 0.4 dB



Note: Output ports are symmetrical to male input.

Note: Dimensions in Brackets are Expressed in Millimeters and are for Reference Only.
 Design specifications are subject to change without notice.
 Contact factory for technical specifications before purchasing or use.

6019: REV C



Aeroflex / Inmet, Inc. • 300 Dino Drive, Ann Arbor, MI 48103 • U.S.A.
 888-244-6638 or 734-426-5553 • FAX: 734-426-5557
 www.aeroflex.com/inmet • inmet-sales@eroflex.com