

TERMINATIONS

TNC MALE, DC - 6.0 GHz, 2 Watts

SPECIFICATIONS:

Models: 3206-TNCM

RoHS
Compliant

Electrical:

Frequency Range _____ DC - 6.0 GHz
VSWR

DC - 1.0 GHz _____ 1.10:1 MAX.

1.0 - 2.5 GHz _____ 1.15:1 MAX.

2.5 - 4.0 GHz _____ 1.25:1 MAX.

4.0 - 6.0 GHz _____ 1.30:1 MAX.

Impedance _____ 50 Ohms

Input Power _____ 2 Watts @+25°C
Derated Linearly to 0.2 Watts @ +125°C

Peak Power _____ 500 Watts Maximum
(1uSec Pulse, .01% Duty Cycle)

Operating Temp Range _____ -55°C to +125°C

Mechanical:

TNC Male Connector _____ Plated Brass and/or Zinc Alloy
Mates with MILSTD-348

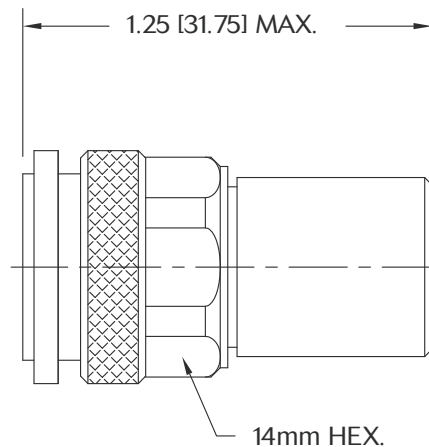
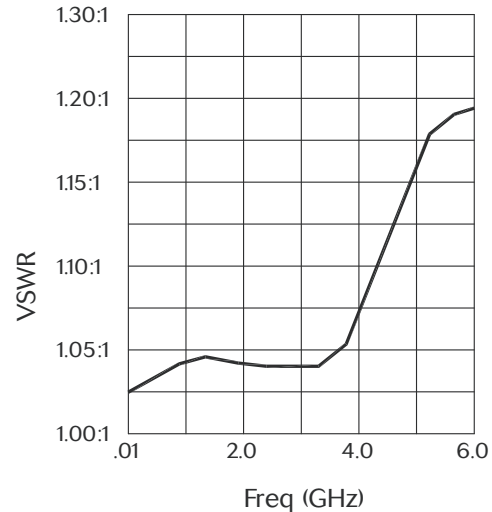
Housing _____ Plated Brass and/or Zinc Alloy

Conductors _____ Gold Plated Brass or Beryllium Copper

ALL SOLDERED CONSTRUCTION FOR
MAXIMUM RELIABILITY.

AEROFLEX
A passion for performance.

3206-TNCM
TYPICAL PERFORMANCE



Note: Dimensions in Brackets are Expressed in Millimeters and are for Reference Only.

Design specifications are subject to change without notice.

Contact factory for technical specifications before purchasing or use.

3206-TNCM; REV -

AEROFLEX
INMET

Aeroflex / Inmet, Inc. • 300 Dino Drive, Ann Arbor, MI 48103 • U.S.A.
888-244-6638 or 734-426-5553 • FAX: 734-426-5557
www.aeroflex.com/inmet • inmet@aeroflex.com