

TERMINATIONS, REVERSE POLARITY
SMA Male, DC - 6 GHz, 1 Watt

SPECIFICATIONS:

Models: 3206-SMARP



Electrical:

Frequency Range _____ DC - 6 GHz

VSWR

DC - 3 GHz _____ 1.15:1 Max.

3 - 6 GHz _____ 1.20:1 Max.

Impedance _____ 50 Ohms

Input Power _____ 1 Watt Avg. @ +25°C

Derated Linearly to 10% @ +125°C

Operating Temperature Range _____ -55°C to +125°C

Mechanical:

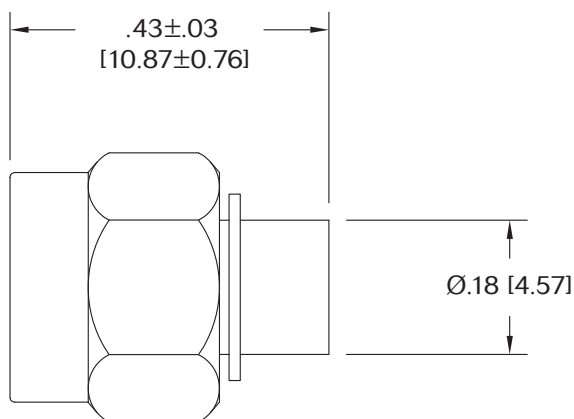
Reverse Polarity SMA Male _____ White Bronze Plated Brass

Mates with Reverse Polarity SMA Female

Conductor _____ Gold Plated Beryllium Copper

Coupling Nut _____ White Bronze Plated Brass

Model Number: 3206-SMARP



Note:

Unit Shown, and Dimensions Occur, with Coupling Nut
Biased Fully Forward (as Installed).

Note: Dimensions in Brackets are Expressed in Millimeters and are for Reference Only.
Design specifications are subject to change without notice.
Contact factory for technical specifications before purchasing or use.

3206-SMARP: REV -



Aeroflex / Inmet, Inc. • 300 Dino Drive, Ann Arbor, MI 48103 • U.S.A.
888-244-6638 or 734-426-5553 • FAX: 734-426-5557
www.aeroflex.com/inmet • inmet@aeroflex.com