

TERMINATIONS

Type N, DC - 18 GHz, Precision

SPECIFICATIONS:

Models: 3101, 3101 C, 3102, 3102 C

RoHS
Compliant

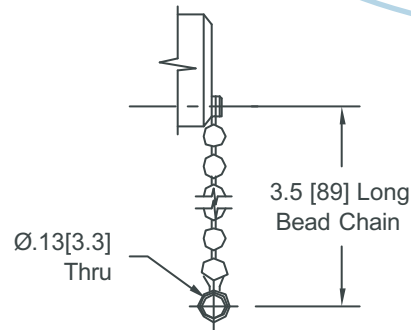
Electrical:

Frequency Range	_____	DC - 18 GHz
VSWR		
DC - 4 GHz	_____	1.03:1 Max.
4 - 8 GHz	_____	1.04:1 Max.
8 - 12.4 GHz	_____	1.05:1 Max.
12.4 - 18 GHz	_____	1.06:1 Max.
Impedance	_____	50 Ohms
Input Power	_____	2 Watts Avg. @ +25°C Derated Linearly to 1 Watts @ +125°C
Peak Power	_____	1.0 kW Max. (5uSec Pulse, .05% Duty Cycle)
Operating Temp Range	_____	-65°C to +125°C
Temperature Coefficient	_____	-250 ppm/°C

Mechanical:

Type N Connectors	_____	Passivated Stainless Steel
Conductors	_____	Gold Plated Beryllium Copper
Bead Chain	_____	Passivated Stainless Steel

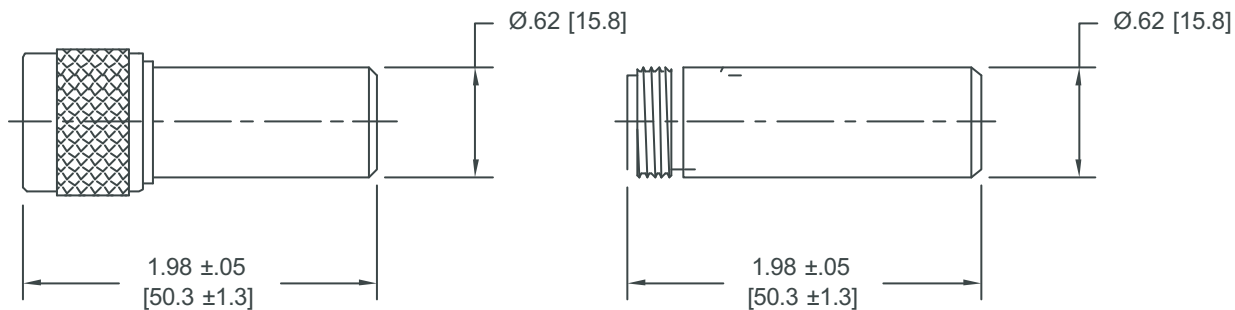
AEROFLEX
A passion for performance.



CHAIN DETAIL

Model Number: **3101**
Type N Male Connector

Model Number: **3102**
Type N Female Connector



HOW TO ORDER:

Model Number: **310XY**

Connector Configuration	┌──┐	Style
1 = Male	└──┘	= No Chain
2 = Female		C = Chain Included

Ordering Examples:

Model Number: **3101 C**
DC - 18 GHz; Type N Male; Chain Included

Model Number: **3102**
DC - 18 GHz; Type N Female; No Chain

Model Number: **3101**
DC - 18 GHz; Type N Male; No Chain

Note: Dimensions in Brackets are Expressed in Millimeters and are for Reference Only.

3101: REV E

AEROFLEX
INMET

Aeroflex / Inmet, Inc. 300 Dino Drive, Ann Arbor, MI 48103 • U.S.A.
888-244-6638 or 734-426-5553 • FAX: 734-426-5557
www.aeroflex.com/inmet • inmet-sales@eroflex.com